

# ASSEMBLY INSTRUCTIONS FOR SEVERN SWING # 502

1. Unpack carton and check contents against parts list below:

- 8 off - Swaged Tubes
- 2 off - Bent Top Tubes
- 2 off - Side Stays
- 4 off - Hooked Ground Bolt
- 1 off - Seat
- 1 off - Rope for Seat

- 1 off - Sub Pack Containing:

- 2 off - M6 x 70mm Long Hex Head Bolts (Top Tubes)
- 4 off - M6 x 50mm Bolts (Side Stay to Legs)
- 4 off - M6 x 35mm Bolts (Legs to Top Tubes)
- 2 off - M6 x 45mm Hex Head Bolts (Shackles)
- 12 off - M6 Locknuts
- 2 off - Rope Hanger
- 4 off - Flanged Bushes
- 2 off - Shackle
- 4 off -  $\frac{3}{4}$ " Tube Caps (Side Stays)

2. To assemble the swing you will need a large screwdriver and 2 x 10mm A/F Spanners.
3. Top tube assembly. Take the two top bent tubes and clamp together with the shackles between the tubes. The indents on the top tubes should be on the inside of the assembly. Use 70mm long hexagon head bolts and locknuts. Securely tighten both bolts. See fig 1.
4. Fit swaged tubes together in pairs making sure the holes are aligned, (DO NOT BOLT TOGETHER AT THIS TIME).
5. Fit a pair of legs into each top bend. It will be found easier if this is done with the frame laying on the ground. Loosely bolt each leg to the top bend using 35mm long bolts and locknuts. The heads of the bolts should be inside the frame.
6. Stand the swing upright and bolt on side stays (Indents against the legs). Use 50mm Long Bolts and Locknuts. Again the bolt heads should be on the inside of the frame. Push tube caps over the ends of the side stays. See fig 2.
7. All bolts should now be fully tightened.
8. Make up the swing seat assembly. Thread the rope equally through and under the seat. Refer to fig 3 lock swing hangers to rope ends, by threading the rope as shown. (Remember to tie safety knots, after adjusting the height of the seat).
9. Fitting the seat assembly to the frame. Assemble the swing seat assembly to the frame as shown in fig 1. Note the position of the flanged bushes. **Important** when tightening the bolt and locknut which secures the swing seat. (ie. 45mm long hex. head). Please do not overtighten. The bushes **must** be free to revolve on the bolt. (If wear occurs on the flanged bush on which the seat assembly swings, remove the 45mm long securing bolt from the shackle and swap over the worn bush for the other bush). After adjusting the seat to the required height, push the rope which runs under the seat into the grooves provided. This will prevent the seat moving from side to side.
10. The swing may now be positioned to suit. The swing should **always** be sited on level ground. Before use the swing must be secured to the ground using the ground bolts shown in fig 4. Push a ground bolt through the hole in **one** side of the leg of the swing. Push the ground bolts upwards to allow the end of the bolt to pass the bottom of the swing leg. (This will slightly deform the hole in the leg). Hammer the ground bolts into the ground at an angle 45° approx. On soft ground, the bolts may tend to pull out, if this occurs, we recommend that the bolts be cemented in to position. Under no circumstances, should the swing be used without the stakes being fitted.
11. Finally tighten all nuts until at least the end of the bolt is showing through the plastic insert in the locknut even though the tubes may be slightly distorted.
12. Periodic checks should be made throughout the life of the swing on the security of bolts and locknuts and the condition of bearings and swing ropes and if any signs of wear are apparent they should be replaced.

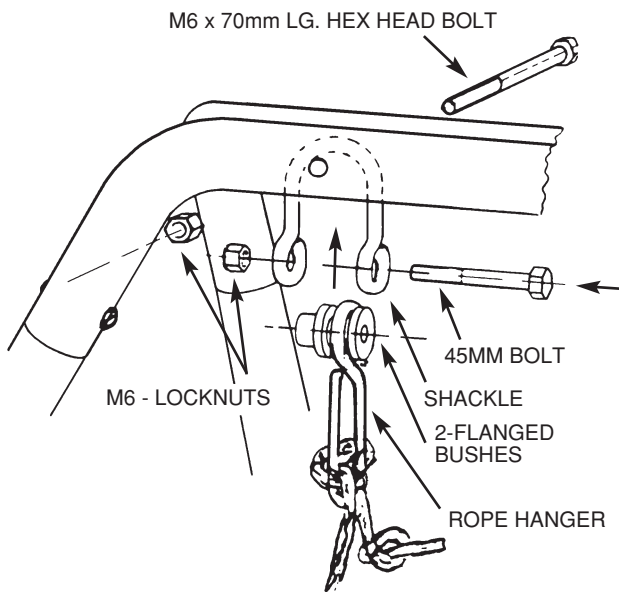
We hope the swing will give you years of enjoyment. In case of difficulty please contact our Customer Services Department on the phone Number below quoting the guarantee number in all enquiries.

**Made in England by:**  
**TP ACTIVITY TOYS LTD.**  
Severn Road,  
Stourport-on-Severn,  
Worcs. DY13 9EX.  
Tel: 01299 827728  
Fax: 01299 827163

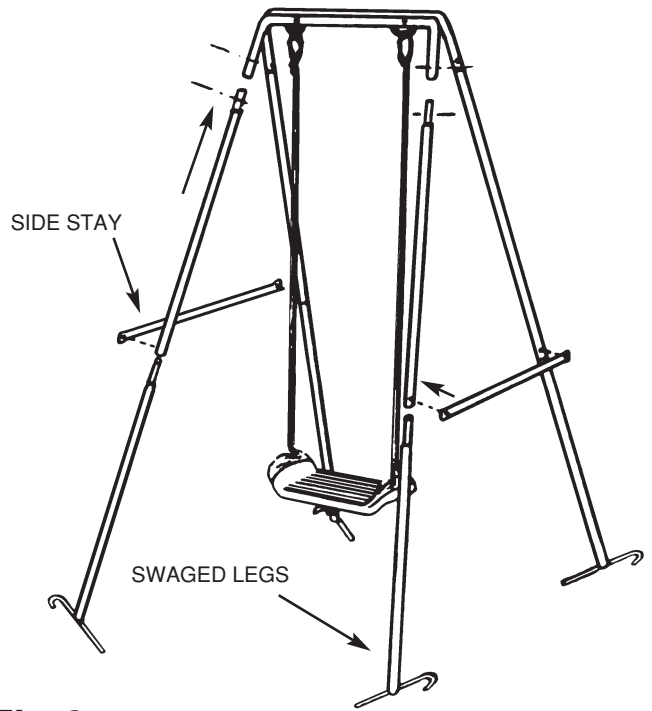


**CUSTOMERS SERVICE TELEPHONE (01299) 827028**

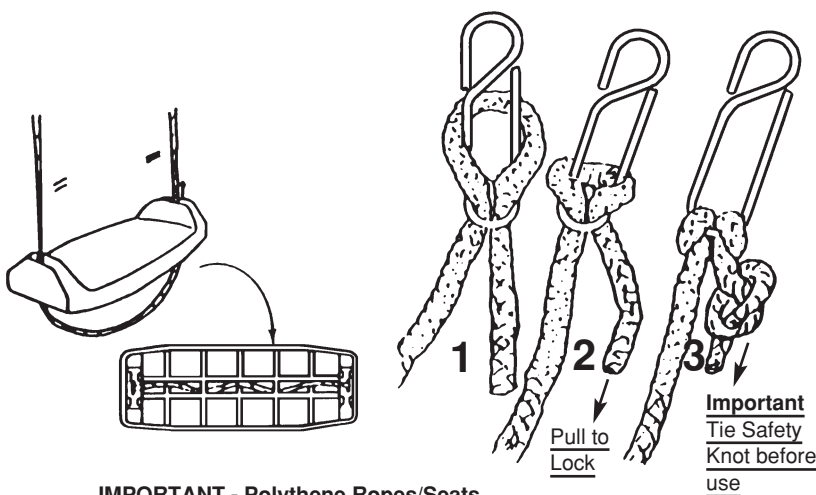
# SEVERN SWING. PRODUCT No. 502



**Fig 1.**

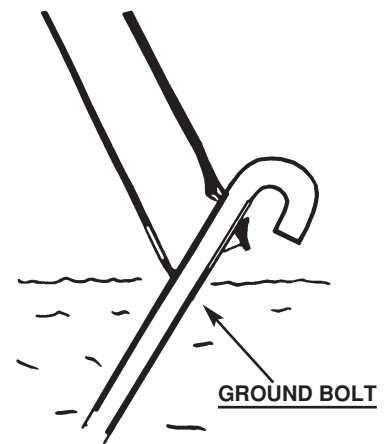


**Fig 2.**

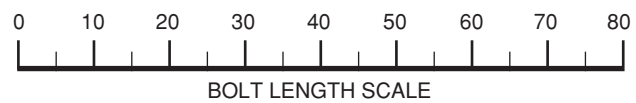


**Fig 3.**

**IMPORTANT - Polythene Ropes/Seats**  
Depending on the amount of exposure to ultra-violet light these items will degrade. Check products and ropes regularly and if the original colour becomes very pale then they should be replaced.



**Fig 4.**



Made in England by:  
**TP ACTIVITY TOYS LTD.**  
Severn Road,  
Stourport-on-Severn,  
Worcs. DY13 9EX.  
Tel: 01299 827728  
Fax: 01299 827163



CUSTOMER SERVICE TELEPHONE (01299) 827028