

# SWINGDECK # 503

(SUITABLE FOR TP LARGE SWING FRAMES ONLY)

# 130 GIANT  
# 131 DOUBLE  
# 132 FAMILY

6445  
AUGUST 2002



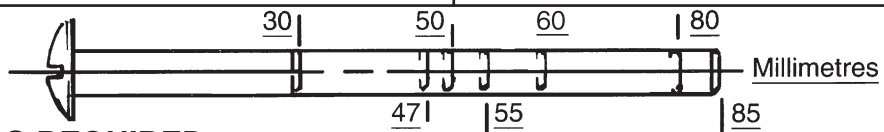
## ASSEMBLY INSTRUCTIONS READ THROUGH COMPLETELY BEFORE STARTING ASSEMBLY.

### CONTENTS, CHECK AND IDENTIFY

REF	QTY	DESCRIPTION	
	1	PLATFORM/END GUARD	
A	1	REPLACEMENT SIDE STAY	1125mm (4 holes)
B	4	LADDER SIDE	
C	13	RUNG	480mm
D	4	LADDER TOP SECTION	580mm
E	2	TOP STRAIGHT	840mm
F	1	TOP BEND (3 HOLES)	
G	1	TOP BEND (2 HOLES)	
H	2	PLATFORM TUBE	1485mm
I	1	PLATFORM CROSS TUBE	1125mm (2 holes)
J	1	END GUARD TUBE	270mm
K	1	APEX TUBE	1175mm

### 1 - PACK OF FITTINGS CONTAINING

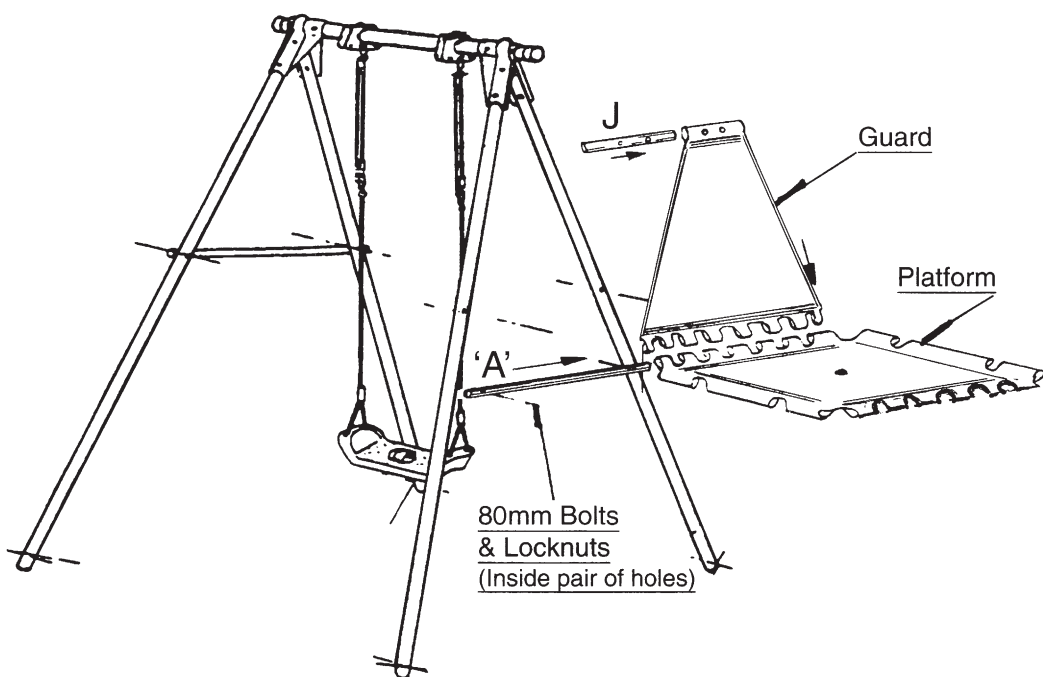
26 - 3/4" TUBE PLUGS	tp7082	2 - 30mm LONG BOLTS	tp5162
2 - 7/8" TUBE PLUGS	tp7083	26 - 47mm LONG BOLTS	tp5160
16 - 1" TUBE PLUGS	tp7084	9 - 55mm LONG BOLTS	tp5169
1 - 2" TUBE CAP WITH HOLE	tp5279	2 - 80mm LONG BOLTS	tp5168
1 - 3/4" ANCHOR UNIT	tp7655	42 - M6 LOCKNUTS	tp5175
2 - CLIP FOR GUARD	tp6331	4 - 60mm LONG BOLTS	tp5167



### TOOLS REQUIRED

1-LARGE SCREWDRIVER 1-10mm A/F SPANNER 1-13mm A/F SPANNER

### STAGE 1 (DO NOT TIGHTEN ANY BOLTS AT THIS STAGE)

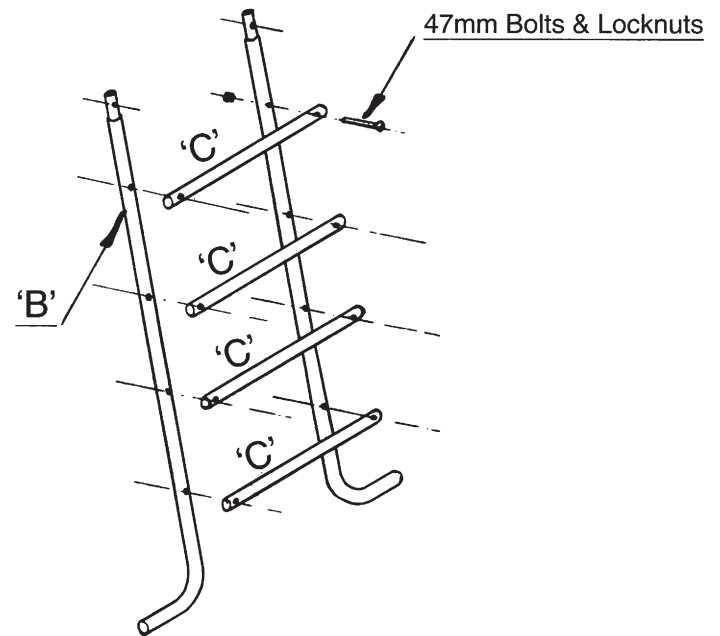


Remove existing sidestay. Combine guard and platform together as shown and slide replacement sidestay 'A' through hems. Bolt replacement stay 'A' to swing legs using 85mm long bolts and locknuts. The head of the bolt should be inside the swing frame. Proceed to Stage 2.

Made in England by:  
TP ACTIVITY TOYS LTD.  
Severn Road,  
Stourport-on-Severn,  
Worcs. DY13 9EX.  
Tel: (01299) 872800  
Fax: (01299) 827163

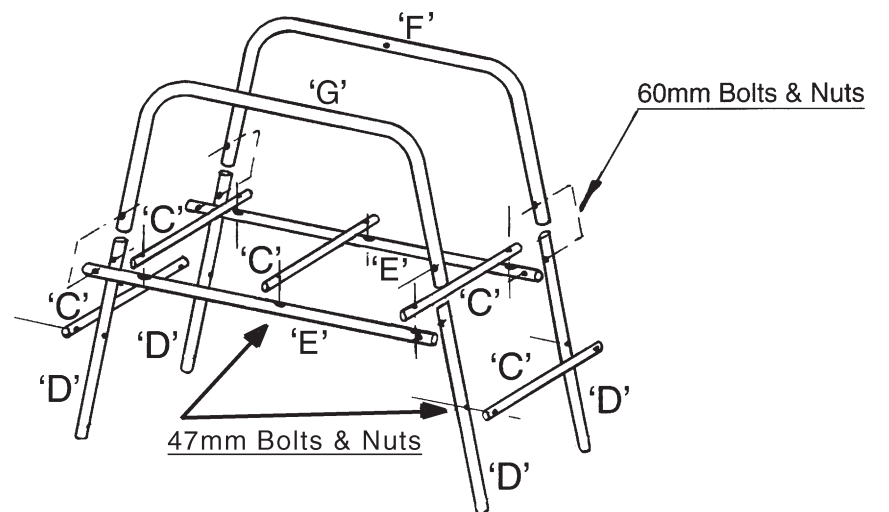
CUSTOMER SERVICE  
SPARE PARTS (01299) 872803  
TECHNICAL HELPLINE (01299) 872804

### STAGE 2 (DO NOT TIGHTEN ANY BOLTS AT THIS STAGE)



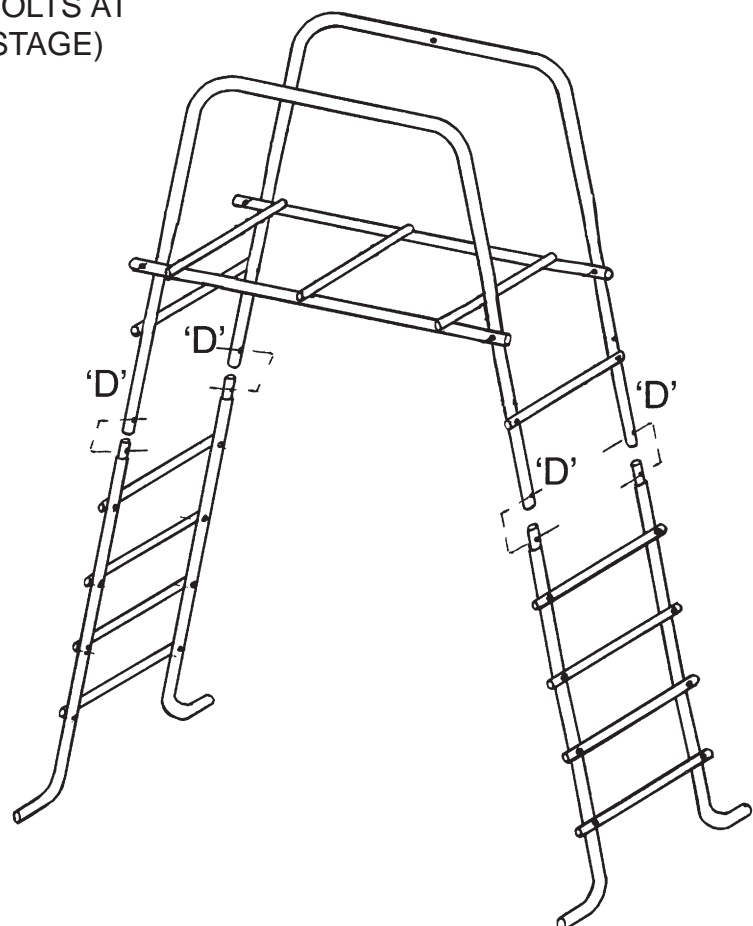
Assemble 2 pairs of ladders as shown. Use 47mm long bolts and locknuts.

### STAGE 3 (DO NOT TIGHTEN ANY BOLTS AT THIS STAGE)



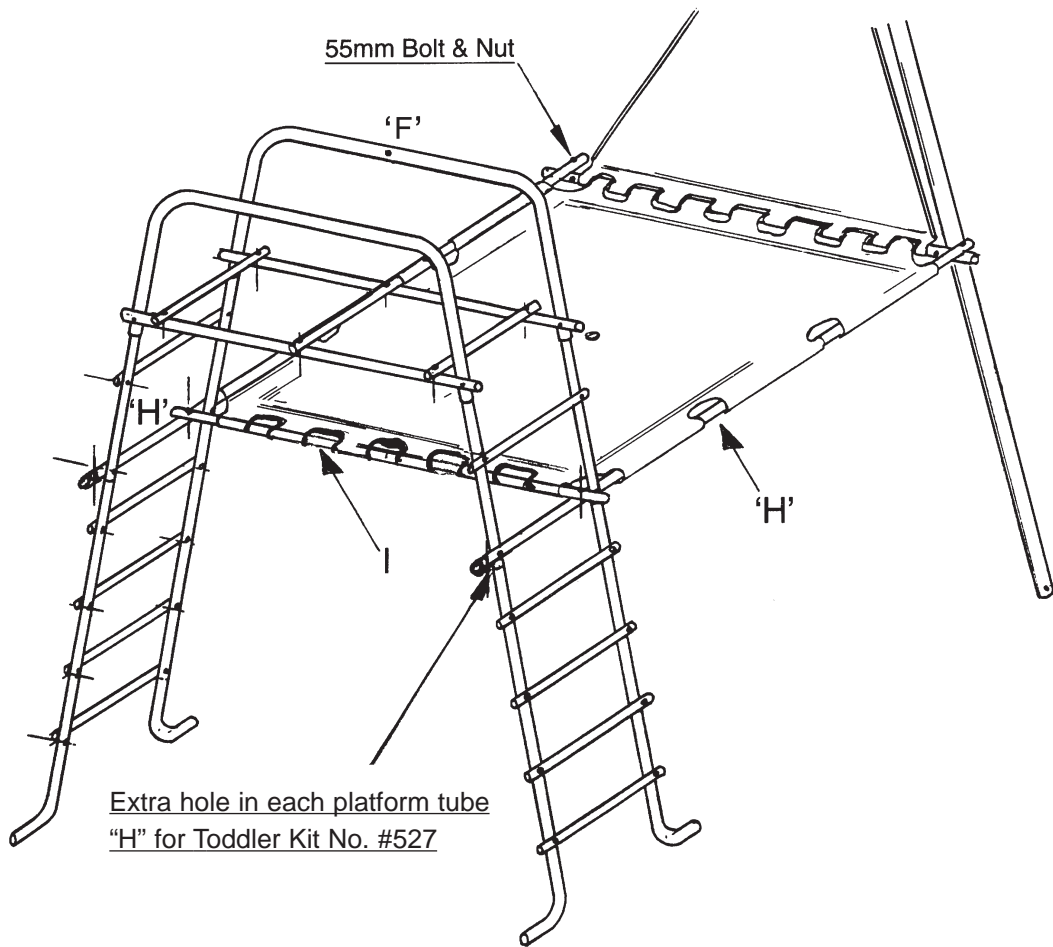
Fasten top bends 'F' and 'G' to top straight 'E' and ladder top section 'D' as shown, using 60mm bolts and locknuts. (Note position of Top Bend with 3 holes 'F' on diagram). Bolt on rungs 'C' using 47mm long bolts and locknuts.

### STAGE 4 (DO NOT TIGHTEN ANY BOLTS AT THIS STAGE)



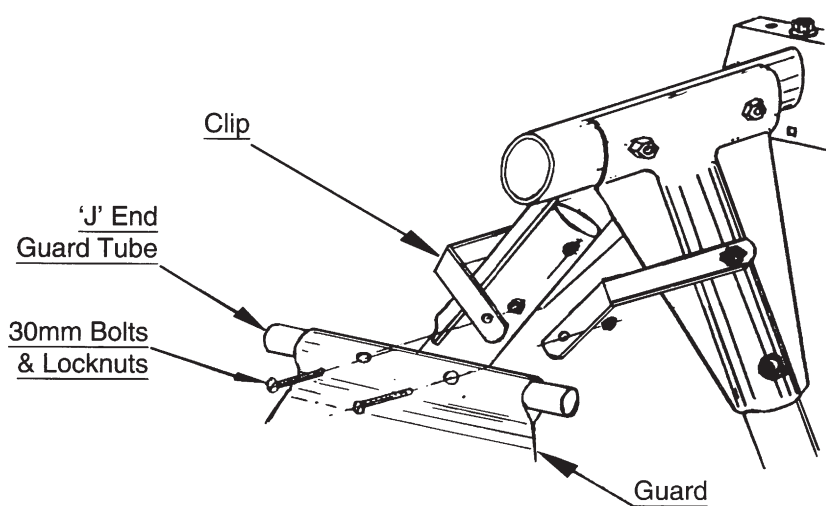
Locate Ladder TOP sections 'D' over ladder sides

**STAGE 5** (DO NOT TIGHTEN ANY BOLTS AT THIS STAGE)



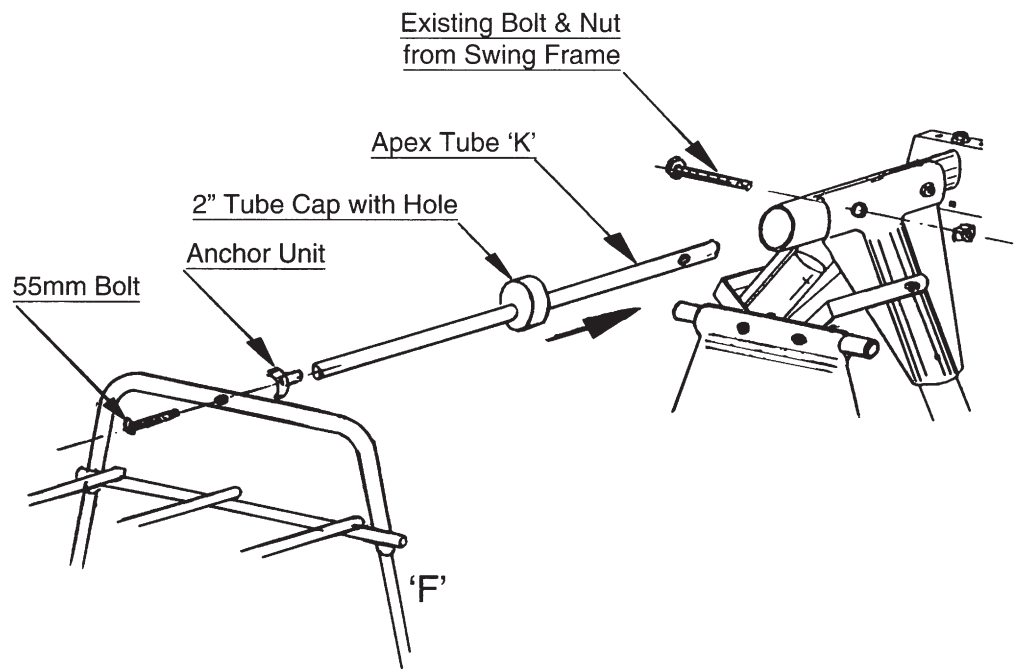
Position the completed Tower Section adjacent to the Swing Frame with the top bend with the free hole 'F' towards the swing, as shown. (Before starting this stage, please make sure that the Swing Frame legs have not sunk into the ground, as this will affect the alignment of the Swing Deck). Slide platform tubes 'H' through the platform hems. Secure the 'H' tubes on top of the side stay 'A' and to the ladder uprights as shown. Use 55mm bolts and locknuts. Slide platform cross tube 'I' through the platform hem and secure on top of the tubes 'H' again using 55mm long bolts and locknuts.

**STAGE 6**



To fit the top of the guard to the top of the Swing Frame, remove the top bolt which secures the swing leg and refasten this bolt with the clip in place as shown. Slide end guard tube 'J' into the hem in top of guard panel and secure to the clips as shown, using 30mm long bolts and locknuts.

**STAGE 7**



Remove the bolt which secures top bar, as shown. Remove the existing plastic tube cap from the swing frame top. Push the apex tube 'K' into the swing top as shown and refasten with previously removed bolt and nut. Slide the new 2" tube cap over the apex tube 'K' and push onto the swing top. Push the anchor unit into the end of the apex tube and secure through the top bend 'F' as shown using 55mm bolt.

Make sure the entire frame is square and aligned to the swing frame. All bolts and nuts should now be fully tightened. Plastic plugs should be tapped into all exposed tube ends using a mallet or piece of soft wood. Regularly check the security of all nuts and bolts and tighten if required. In case of difficulty, please contact TP Activity Toys at the address or telephone number below, quoting guarantee number in all enquiries.

**IMPORTANT**

If fitting a slide to the ladder section (fig1), the top rung can be removed to allow easier access, but the slide toddler handrail kit should not be fitted. Owing to the close proximity of the ladder uprights, the toddler handrail kit (tp613) would create a safety hazard (Headtrap).

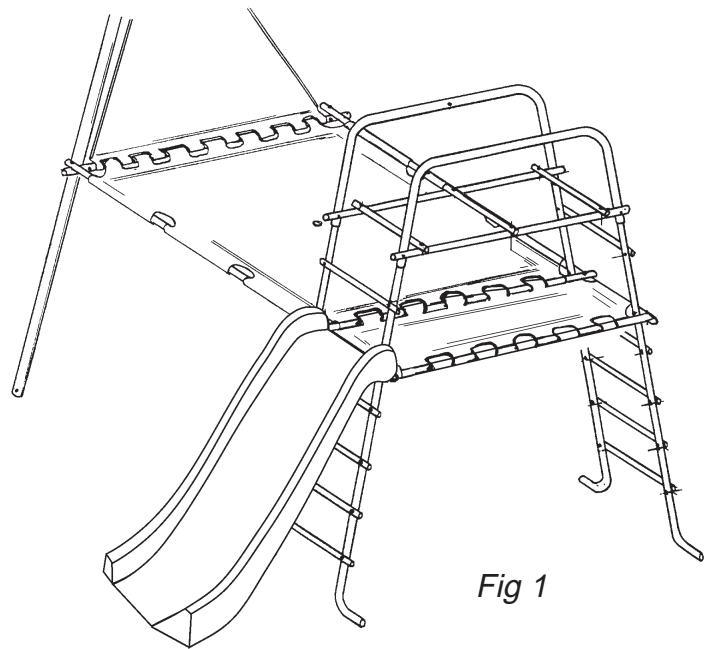


Fig 1

If a slide is fitted in the middle of the main platform, the slide toddler handrail kit can be fitted (fig 2).

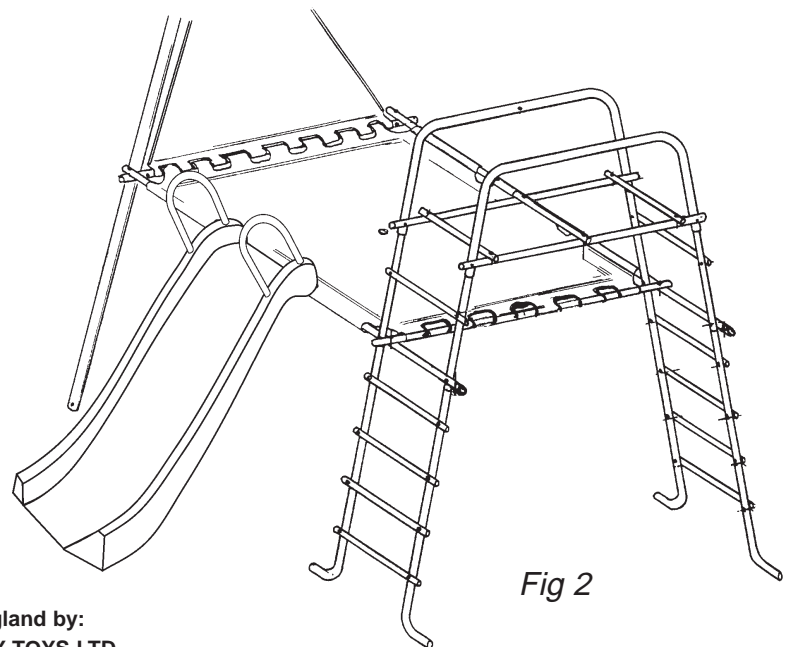


Fig 2

Made in England by:  
 TP ACTIVITY TOYS LTD.  
 Severn Road,  
 Stourport-on-Severn,  
 Worcs. DY13 9EX.  
 Tel: (01299) 872800  
 Fax: (01299) 827163

**CUSTOMER SERVICE**  
 SPARE PARTS (01299) 872803  
 TECHNICAL HELPLINE (01299) 872804