



ROCKABOAT

CAUTION

This product contains small components and therefore is not suitable for children under thirty six (36) months until fully assembled. Children as young as nine (9) months may use the Rockaboat, but must do so only in conjunction with the Rockaboat Harness (TP 648). Children should always be supervised by a responsible adult while playing on this toy, and instructed not to use it in an inappropriate or hazardous manner. Children should be instructed not to pass in front of or behind swinging toys, not to get off a swing when it is moving, and not to swing an empty swinging toy. Ensure that children do not wear loose-fitting clothes that can catch or snag, and instruct them to always hold on tightly to the tubes whilst sitting or swinging on the seat. This toy is intended for use by one or two children at one time. It is vital that all fastenings are checked regularly and often. Failure to do this may result in the product malfunctioning, and causing injury. Children must not be allowed to use this product until it is properly installed and checked. Please take care during assembly as small sharp pieces resulting from the manufacturing process may be present.

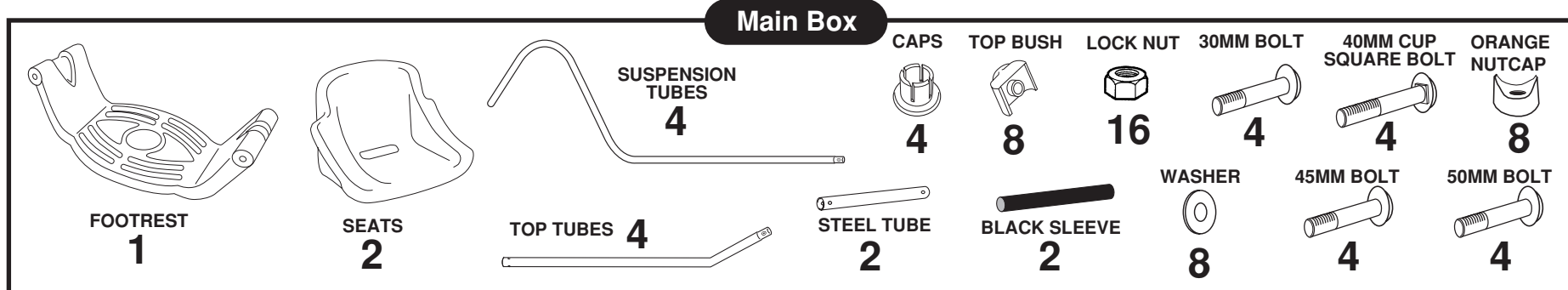
1 PLEASE READ THIS FIRST and then follow the numbered stages

Before you start you should check all parts using the Contents list and the illustrations that follow.

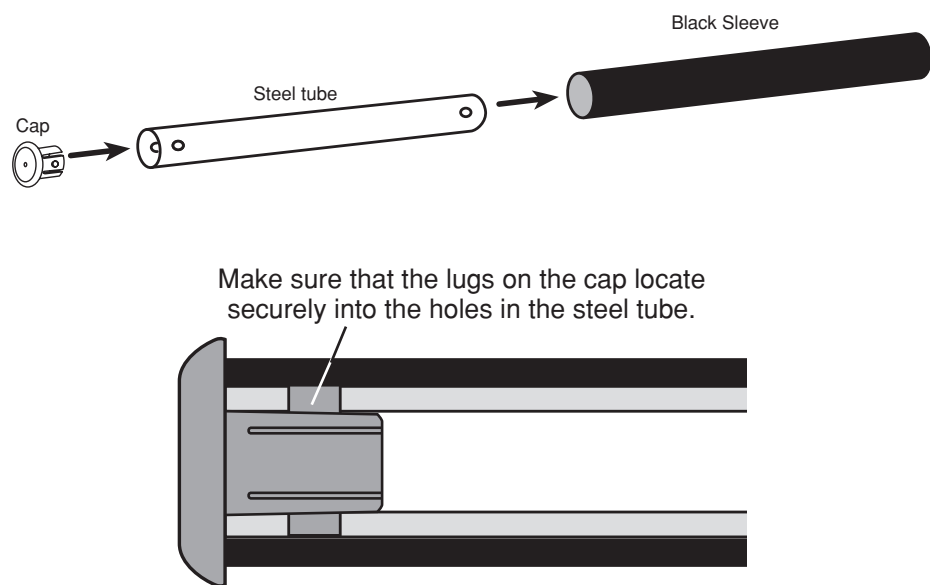
We recommend that you place small parts on a tray, or something similar, to prevent the frustration and disappointment of mislaying them.

This product must be assembled by an adult - enlisting the aid of a helper will make things easier. Please retain all information for future reference. We would like to draw your attention to the Caution notice at the top of this page and the Instructions for Maintenance & Use of TP Toys leaflet which also accompanies this product.

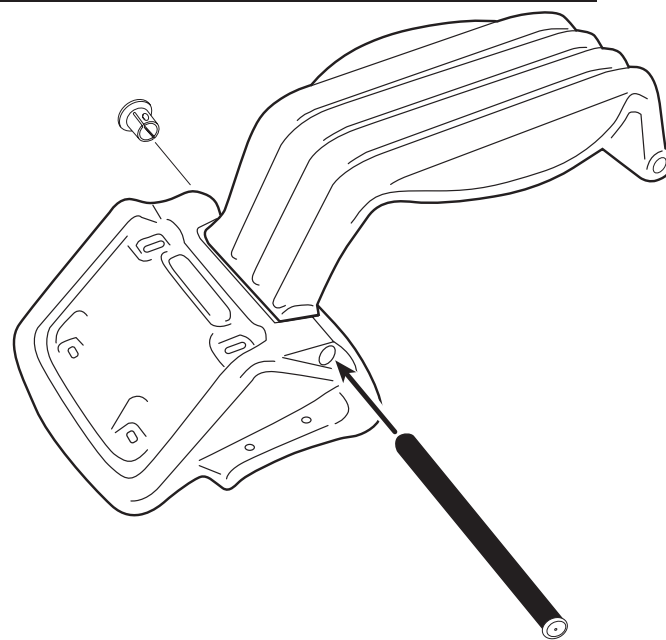
2 CONTENTS



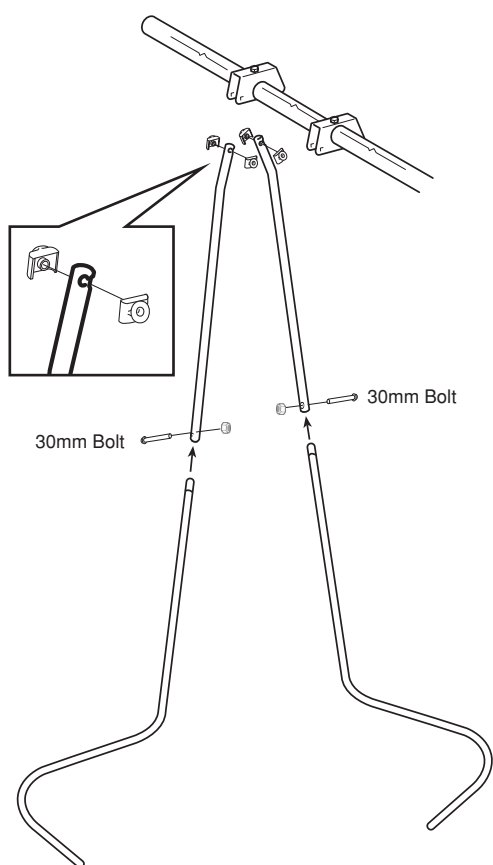
3 BAR ASSEMBLY



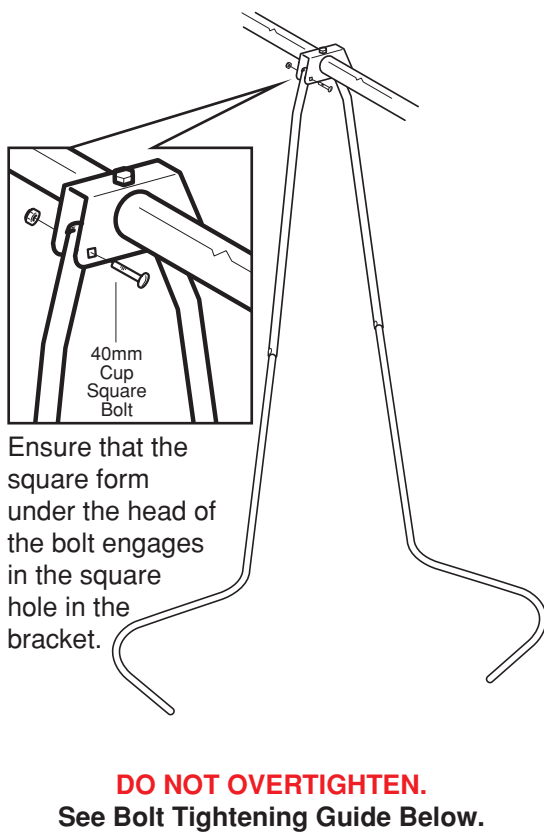
4 SEAT TO FOOTREST FIXING



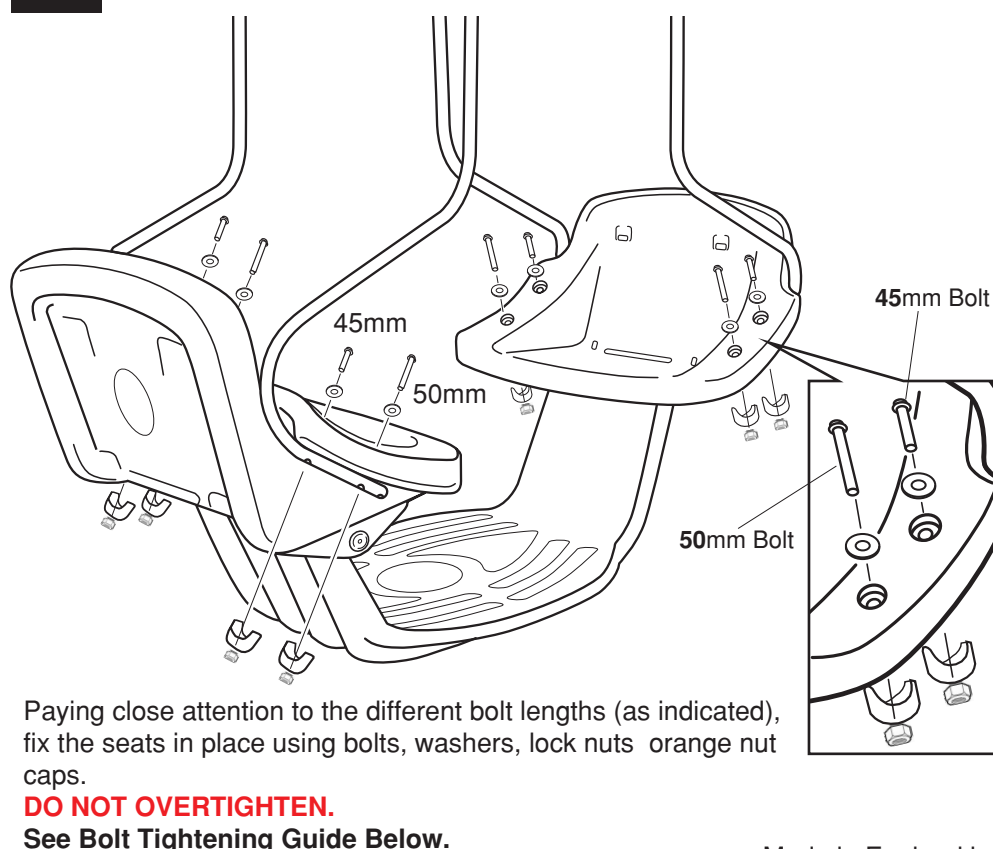
5 CONNECTING TOP TUBES



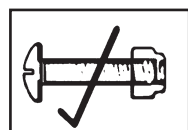
6 ATTACHING TUBES TO SWING FRAME



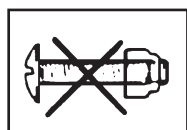
7 SEAT TO TUBES FIXING



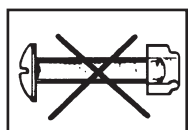
Bolt Tightening Guide



CORRECT:
Bolt bites into plastic insert, but does not protrude.



WRONG:
Bolt protrudes: **Dangerous**, could scratch your child.



WRONG:
Nut is not secure tighten even if tube is squashed a little.

Made in England by
TP ACTIVITY TOYS LTD.
Severn Road
Stourport-on-Severn
Worcestershire DY13 9EX

Spare Parts
Technical Helpline

Customer Service:
+44 (0)1299 872803
+44 (0)1299 872804